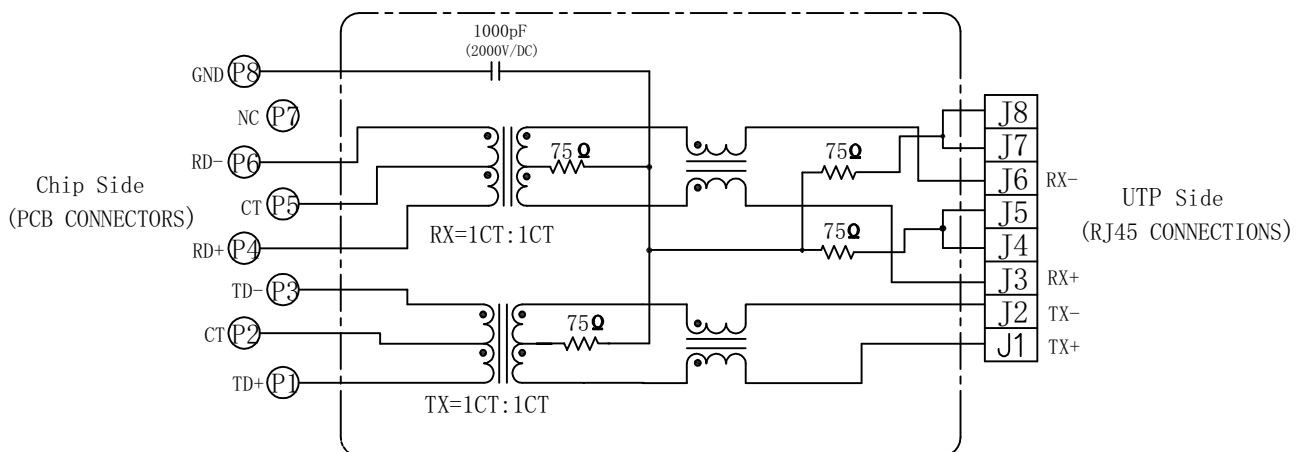


## Electrical Specifications @25°C/65%RH

1. Isolation Voltage: 1500V/AC(Chip Side to UTP Side)
2. OCL: 350uH Minimum @100KHz 100mV with 8mA DC
3. Insertion Loss: -1.1dB Maximum @100KHz-100MHz
4. Return Loss:
  - 18dB Minimum @1MHz-30MHz
  - 14dB Minimum @30MHz-60MHz
  - 12dB Minimum @60MHz-80MHz
5. Common Mode Rejection:
  - 40dB Minimum @1MHz-30MHz
  - 35dB Minimum @30MHz-60MHz
  - 30dB Minimum @60MHz-100MHz
6. Cross Talk:
  - 40dB Minimum @1MHz-30MHz
  - 35dB Minimum @30MHz-60MHz
  - 30dB Minimum @60MHz-80MHz

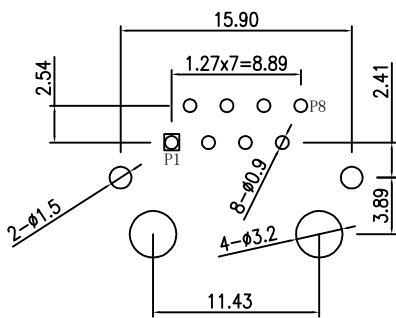
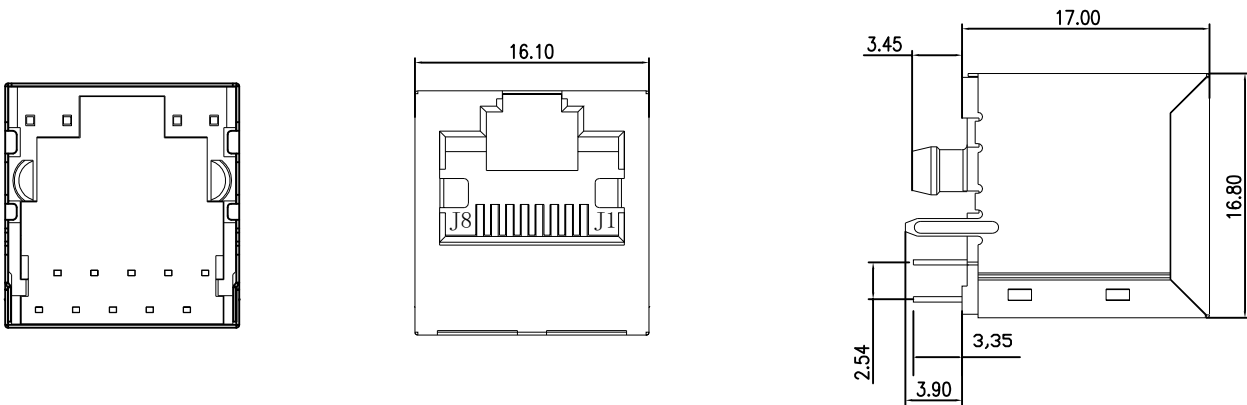
## Schematics:



Single Port RJ45 Connector  
With 10/100 Base-T Magnetics Module

- ROHS Compliant (Pb Free)
- Meets or exceeds IEEE802.3 Standards including 350uH Min OCL with 8mADC
- High performance for EMI suppression, Crosstalk, Return Loss and Consistent Electrical
- Minimum 1500Vrms isolation per IEEE802.3 requirement
- Minimize PCB space and Simplify PCB Layout
- Less magnetic components to be placed on PCB, higher reliability and yields

Mechanical Dimensions:



P.C.B RECOMMENDED HOLE LAYOUT SEEN FROM COMPONENT SIDE.  
ALL CENTERLINE DIMENSIONS ARE BASIC

1. Connector Material:  
Housing: Thermoplastic UL94 V-0  
Contact/Shield: Cooper alloy  
Shield Plating: Nickel  
Contact Plating: Selective gold 6u" Min
2. Tolerances comply with F.C.C dimension requirements
3. Durability: 800 mating Min

Dimensions in mm

Unless otherwise specified, Tolerance: .XX ±0.25